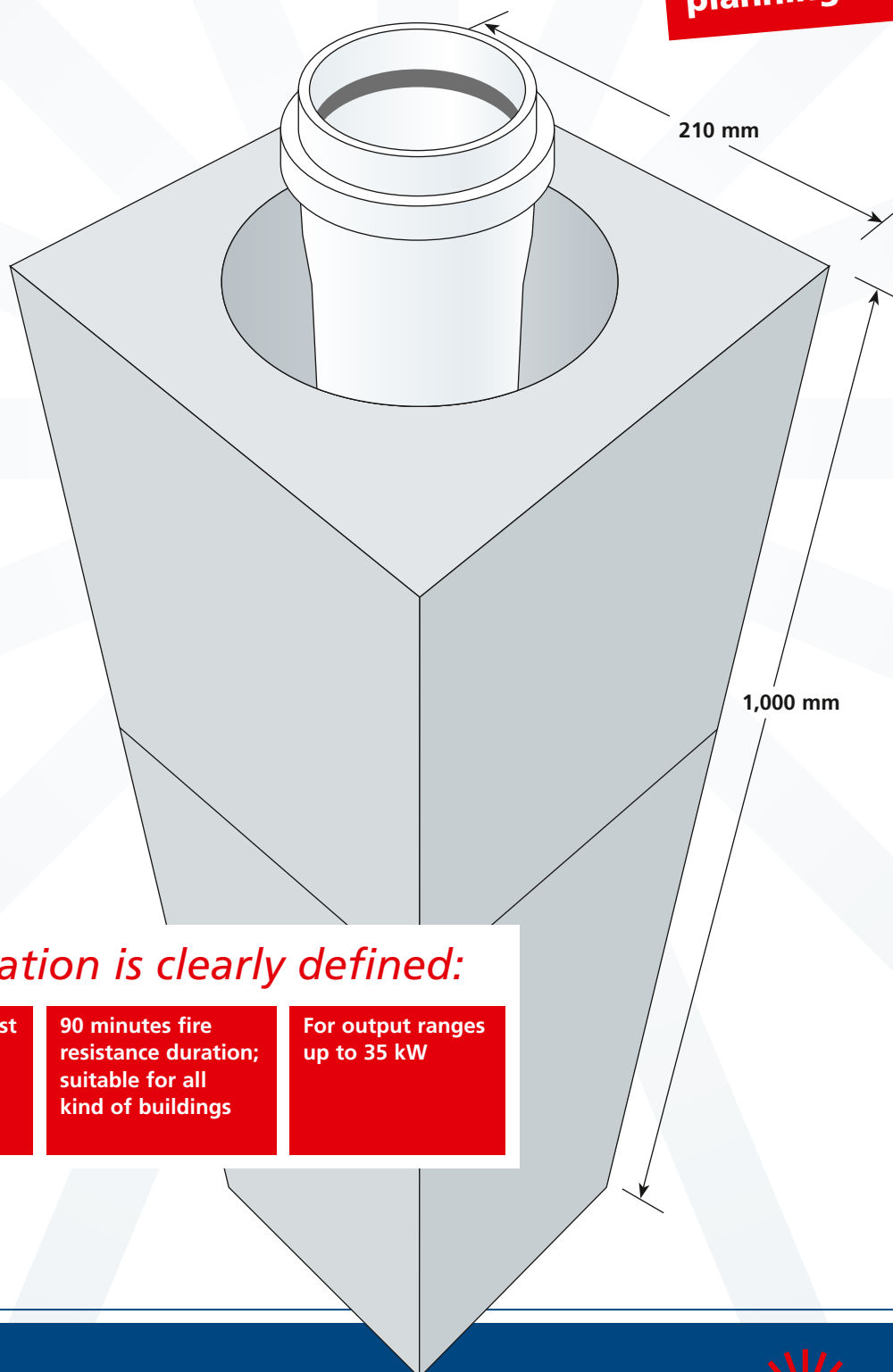


PORIFIX

*The universal chimney for
condensing boiler flues in small scale*

**Easy and flexible
planning and handling**



The application is clearly defined:

Up to 120 °C exhaust
gas temperature;
for oil and gasfired
condensing
technology

90 minutes fire
resistance duration;
suitable for all
kind of buildings

For output ranges
up to 35 kW

Easy, universal and fast to assemble ...

The system

PORIFIX can be used anywhere, both in single dwellings and in apartment blocks. The system can easily be assembled and is quickly installed on-site.

Its 90 minute fire rating complies with Federal Construction Ordinance requirements for all building classes. The system's output range extends up to approximately 35 kW, and even more depending on the type of boiler used.

PORIFIX has the General Technical Approval and is certificated (Z-7.4-3433; CE).

The items required for connection come in a single basic package (the connection package), which can be individually matched to different roof pitches and colours. This simplifies project planning and calculations. So you can order the necessary shaft element quantity suitable to your shaft height and the package appropriate to the individual roof.

Erection time is normally a mere 2–4 hours, depending on the length of the ductwork.

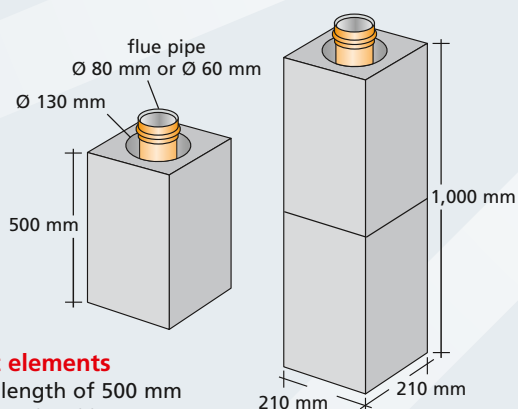
The PORIFIX-elements

PORIFIX is a product combination of F90 duct work for fire protection and plastic flue gas pipes with the necessary spacers. The annular gap between the borehole and the flue gas pipe channels the combustion air in.

The dimensions of the duct elements are 210 x 210 mm and a length of 500 mm, the borehole has an i/d of Ø 130 mm. The shaft elements include D60 or D80 polypropylene flue gas pipe. The **PORIFIX** formed bricks for ductwork are made from special autoclaved aerated concrete with an average density of only 0.5 kg/dm³.

Therefore the shaft elements consist of particularly low-weight material. Attachments and cut-outs can be easily made using commercially available tools.

The ductwork shaped bricks are bonded to each other using thin bed mortar.



The PORIFIX shaft elements

are available in the length of 500 mm and 1,000 mm (shaft = 2x 500 mm, pipe = 1,000 mm), if the PPs flue pipe and bracing brackets are included.

Basic packages

The items required for connection come in a single basic package (connection package), which consists of:

Ceiling connection element

This component provides fire protection-compliant transition from the appliance installation area to the floor above. The inspection T-piece allows a flexible connection to the condensing boiler. Inspection of flue gas pipe and of combustion air pipe through the annular gap is possible from below therefore, roof access is no longer required. Installation of garret windows, standing platforms and grids at the roof are not necessary.

Concentric roof terminal

The roof terminal is available in standard length (0.4 m) or special length (1.0 m), both in red or black.

Universal adjustable roof tile

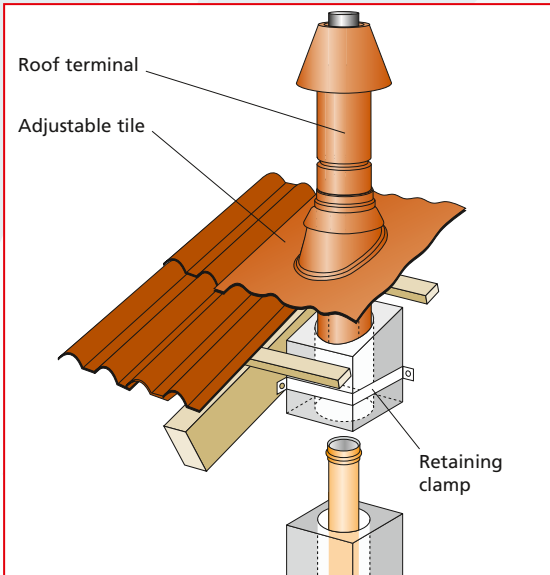
Thanks to its lead flashing (600 x 700 mm), the universal adjustable roof tile offers optimum flexibility when positioning and adjusting on roof tiling, available in red or black. The standard tile is adjustable from 25° to 45° roof pitch. Other roof inclinations from 5° to 55° are possible on request.

For flat roofs a flat roof collar or the Dektite pipe sleeve are deliverable.

The basic package contains a trading unit **special adhesive** container (12 kg), also sufficient for taller apartment buildings.

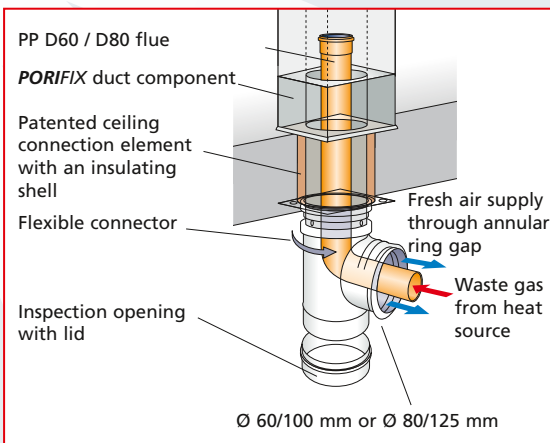
To prevent lateral shifting of the ductwork the basic package contains four **retaining clips**.

Roof terminal

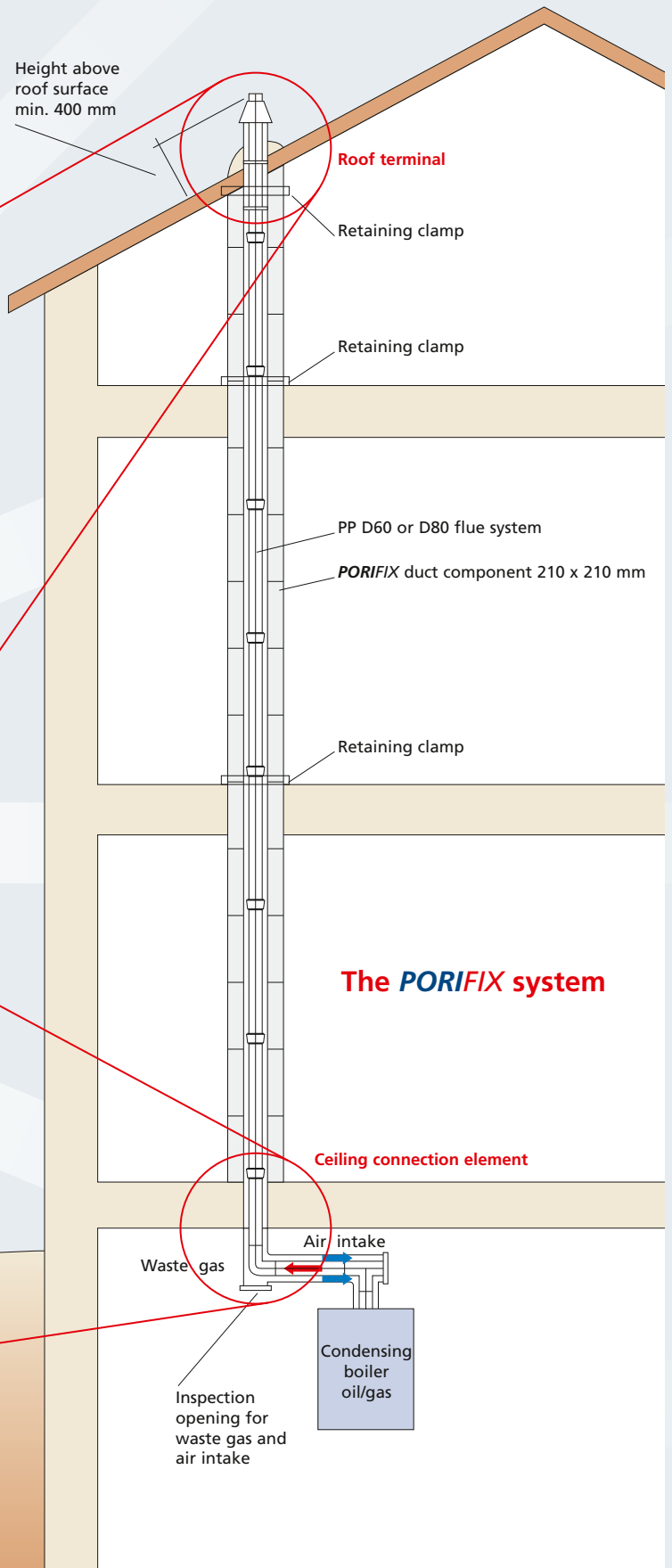


The roof terminal can be ordered in two lengths and colours. The universal tile can be set with variable inclinations. That's how **PORIFIX** can offer a unique solution for almost every type of roof.

Ceiling connection element



The patented ceiling connection element enables a very easy inspection of the air annular gap and flue section from within installation room. Additional installation, such as an access hatch, is no longer necessary.



... the universal chimney **PORIFIX**

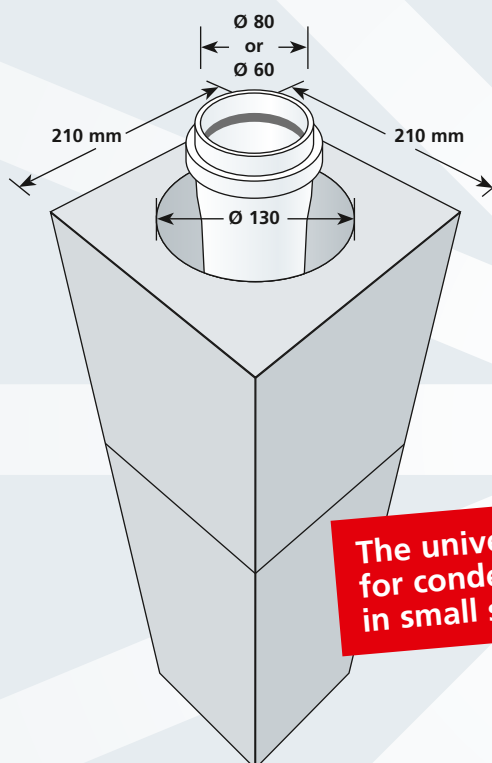
PORIFIX – all advantages at a glance

external dimensions [mm]			weight per piece [kg]	fire resistance duration [min]	test certificate/ general technical approval
length x width	height	borehole			
210 x 210	500	Ø 130	8.5	90	Z-7.4-3433; CE
210 x 210	1,000 (2x 500)	Ø 130	17.0	90	Z-7.4-3433; CE

Subject to technical modifications.

Universally applicable

- Applicable for oil- and gas-fired technology (up to 120 °C exhaust gas temperature)
- Suitable for single family dwellings and appartement houses (fire resistance duration 90 minutes)
- The universal system provides planning reliability for output ranges of up to 35 kW (calculation service for dimensioning from Skoberne)
- General technical approval and certification
- Fits easily into any wall – small outer dimensions



The universal chimney for condensing operation in small scale

Fast and easy to assemble

- Shaft element height 500 mm and 1,000 mm (shaft = 2 x 500 mm, pipe = 1,000 mm)
- PORIFIX is made of autoclaved aerated concrete – weight saving of 75 %
- Attachments and cut-outs can be easily made using commercially available tools
- Simple connection with thin-bed mortar
- Easy implementation of the roof terminal
- Room saving installation from ground floor above installation room of the condensing boiler up to the roof area. (only the complete PORIFIX system incl. the Skoberne flue pipe and the bracing brackets)

Handed over by:

Last amended June 2020. Item no. 791061 EN